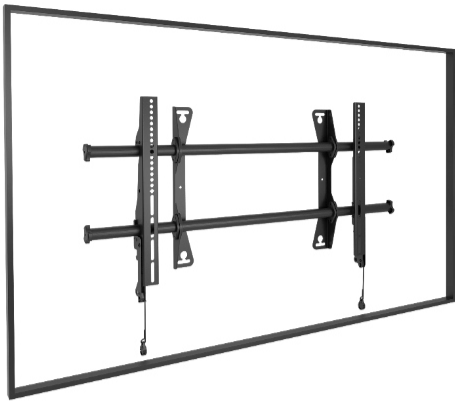


Large Fusion® Fixed Wall Display Mount **SKU: LSA1U**

---



Chief's upgraded fixed wall mounts are based on installer feedback and direct observations of installers in the field. Many new features join Fusion® favorites like Centerless shift, ControlZone leveling adjustment and ClickConnect Latching.

New benefits included added stability, faster install, improved lateral shift, easier cable management and enhanced security.

Installer-inspired, Fusion® fixed mounts solve top flat panel installation problems, offering flexible adjustments for large displays with a low-profile display mounting solution.

- Integrated teardrop design speeds up wall plate installation by allowing pre-installation of the bolts to the wall
- Centerless Shift provides post-installation lateral shift for limitless centering
- Set screws keep the mount rigid, stable and secure throughout the life of the installation
- ClickConnect offers an audible click when the screen safely engages with the mount
- Built-in cable stand provides easy access under the screen
- A full line of accessories can be installed with the mount and the entire unit can be adjusted together
- Multiple installation options for various stud distances
- Exclusive nesting spacers can be stacked to achieve any depth
- Quick-Store Cords use magnets to easily store and access pull cords
- Improved cable management with new end caps
- Integrated Security
- Ships with a custom hardware kit that can be hung from mount rails if installing in stages
- Easy Open box with less waste to throw away

## Specifications

---

## Dimensions &

## Measurements

Depth	5.08 cm (2 in)
Height	52.07 cm (20.5 in)
Overall Dimensions	20.50 x 34.75 x 2" (521 x 883 x 51 mm)
Shipping Weight	8.36 kg (18.4 lbs)
Typical Screen Size	42"- 86" (1067mm - 2184mm)
Wall Stud Compatibility	16" - 32" (406mm - 813mm)
Weight Capacity	200 lbs (90.7 kg)
Width	88.26 cm (34.8 in)

## Characteristics & Features

Adjustability	Fixed, Lateral Shift
Application	Wall
Color	Black
Orientation	Landscape
Solution Type	Universal
TAA Compliant	No
UPC	841872163710
VESA Mounting Pattern	100x100mm-870x500mm

## Certifications &

## Warranties

Certifications	<ul style="list-style-type: none"><li>• OSHPD</li><li>• TUV</li><li>• UL Listed</li></ul>
----------------	---