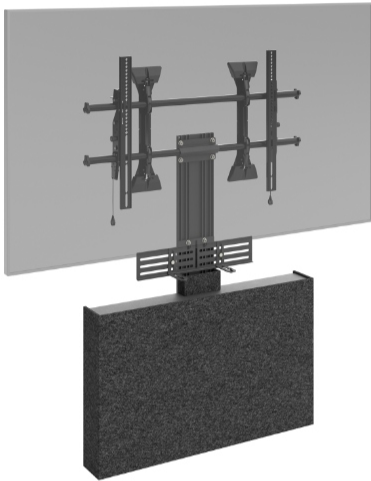


Fusion® Storage Cabinet **SKU: FCASTC**



The Fusion® Storage Cabinet accessory responds to modern AV applications that need an aesthetic front-serviceable AV storage solution when installing small devices behind the display is not an option. Designed with flexibility and convenience in mind, the Fusion Storage Cabinet (FCASTC) seamlessly integrates with Chief's acclaimed award-winning Fusion wall mounts. The cabinet allows for customizable height positioning beneath the display while eliminating the need for wall-mounting. Experience convenience and aesthetic appeal with Chief's Fusion Storage Cabinet Accessory.

Key Features:

- No wall-mounting required! Quick-connects to Chief Fusion® Wall Mounts
- Allows for mounting directly on the wall (installation hardware not included)
- One person install under 5 minutes
- Acoustic felt front cover snaps on with magnets and includes integrated security
- Allows for flexible height positioning under the display
- Multi-purpose packaging allows pre-installed cabinets to be repacked for convenient shipping to installation sites
- Packaging completely free from plastic
- Facilitates ADA compliance
- TAA compliant

Includes:

- Fully assembled storage cabinet
- Universal video bar camera mount
- Acoustic felt front cover
- Acoustic felt cable Channel
- Rackmount brackets allowing easy integration of 19" rackmount equipment*
- Lever Lock™ panel that allows toolless integration of small AV devices
- Passive thermal management ensures proper cooling of the equipment
- Integrated security

Please note: Camera and Fusion mount not included.

Compatible with Fusion mounts: MSM1U, MSA1U, MTM1U, MTA1U, LSM1U, LSA1U, LTM1U, LTA1U, XSM1U, XTM1U, KITXWXSM1U

*Up to 2 RU with back of device facing downwards, up to 1 RU with back of device facing sideways

Specifications

Dimensions &

Measurements

Shipping Dimensions	38.2" x 23.7" x 6.3" (833 x 602 x 160 mm)
---------------------	---

Shipping Weight	13.6 kg (30 lbs)
-----------------	------------------

Weight Capacity	65 lbs / 30 Kg
-----------------	----------------

Characteristics & Features

Accessory Type	<ul style="list-style-type: none">• Cable Management• Camera Mounts• Component Storage• Rack Rails• Security
----------------	--

Adjustability	Height Adjustable
---------------	-------------------

Application	<ul style="list-style-type: none">• Furniture• Wall
-------------	--

Special Features	<ul style="list-style-type: none">• ADA Compliant• Security• TAA Compliant
------------------	--

TAA Compliant	Yes
---------------	-----

UPC	841872178219
-----	--------------

Certifications &

Warranties

Certifications	TAA
----------------	-----

Source: <https://www.legrandav.com/products/accessories/display-tv-accessories/fusion-storage-cabinet/fcastc>