

Specifications

Retractor Series

Cable – USBC Pro 8K (Red Ring)

TRUE 8K specification

Max. 8K Capabilities			
Resolution	Refresh Rate	Chroma Sampling	Max. Bit Depth per Color
7680x4320	30 Hz	4:4:4	8 bit
Max. 4K Capabilities			
Resolution	Refresh Rate	Chroma Sampling	Max. Bit Depth per Color
4096x2160	60 Hz	4:4:4	12 bit
3840x2160			8 bit
	120 Hz		

Frame rate¹ 24, 25, 30, 50, 60, or 120 fps
 Chroma sampling¹ 4:4:4 or 4:2:2
 Color bit depth¹ 8, 10, or 12 bits per color
 Signal type Up to DisplayPort 1.4 and HDCP 2.3
 DisplayPort video DisplayPort Alt Mode, DP 1.4 (4 lanes), up to HBR3/8.1 Gbps per lane
 Max. video data rate 32.4 Gbps (8.1 Gbps Per Lane)

NOTE: ¹Subject to the maximum data rate limit. Use our calculator at www.extron.com/8KdataRate to determine video parameters supported by this data rate.

USB-C cable
 Connector type 1 USB-C Male to 1 USB-C Male

Data
 USB specification USB 2.0 and USB 1.1 compatible
 USB data rate Up to 480 Mbps
 Maximum built-in USB hubs 0

Power
 Maximum power delivery 60 W
 Maximum current 3 A

Specifications • Retractor Series (Continued)

Cable - USBC Pro (Blue Ring)

TRUE 4K specification

Max. 4K Capabilities		
Resolution and Refresh Rate	Chroma Sampling	Max. Bit Depth per Color
4096x2160 at 30 Hz	4:4:4	8 bit
3840x2160 at 30 Hz		

Frame rate¹ 24, 25, or 30 fps
 Chroma sampling¹ 4:4:4 or 4:2:2
 Color bit depth¹ 8, 10, or 12 bits per color
 Signal type Up to DisplayPort 1.4 and HDCP 2.3
 DisplayPort video DisplayPort Alt Mode, DP 1.4 (2 lanes), up to HBR3/8.1 Gbps per lane
 Max. video data rate 16.2 Gbps (8.1 Gbps per lane)

NOTE: ¹Subject to the maximum data rate limit. Use our calculator at www.extron.com/8Kdata rate to determine video parameters supported by this data rate.

USB-C cable
 Connector type 1 USB-C Male to 1 USB-C Male
 Data
 USB specification USB 3.2 (Gen 1), USB 2.0, USB 1.1 compatible
 USB data rate Up to 5 Gbps
 Maximum built-in USB hubs 0
 Power
 Maximum power delivery 60 W
 Maximum current 3 A

Specifications • Retractor Series (Continued)

Cable - Digital

TRUE 4K specification

Max. 4K Capabilities		
Resolution and Refresh Rate	Chroma Sampling	Max. Bit Depth per Color
4096 x 2160 at 30 Hz	4:4:4	8 bit
3840 x 2160 at 30 Hz		
4096 x 2160 at 60 Hz	4:2:0	
3840 x 2160 at 60 Hz		

- Frame rate¹ 24, 25, 30, 50, or 60 fps
- Chroma sampling¹ 4:4:4, 4:2:2, or 4:2:0
- Color bit depth¹ 8 bits per color
- Signal type¹ HDMI 1.4, DisplayPort 1.1a
- Maximum video data rate
 - HDMI and USB-C - HDMI 10.2 Gbps (3.4 Gbps per color)
 - DisplayPort and USB-C - DP ... 10.8 Gbps (2.7 Gbps per lane)

NOTE: ¹Subject to the maximum data rate limit. Use our calculator (www.extron.com/8KdataRate) to determine video parameters supported by this data rate.

- HDMI cables
 - Connector type 1 male HDMI type A to 1 male HDMI type A
 - DisplayPort cables
 - Connector type 1 male latching DisplayPort to 1 male latching DisplayPort
1 male latching DisplayPort to 1 HDMI type A
 - Mini DisplayPort cables
 - Connector type 1 male Mini DisplayPort to 1 male latching DisplayPort
1 male Mini DisplayPort to 1 male HDMI type A
 - USB-C cables
 - Connector type 1 male USB-C to 1 male HDMI type A
1 male USB-C to 1 male latching DisplayPort
-
- ### Cable – Analog
- VGA cables
 - Connector type 1 male 15-pin HD to 1 male 15-pin HD
 - VGA-A cables
 - Connector type 1 male 15-pin HD with 24 inch male 3.5 mm stereo audio pigtail to
1 male 15-pin HD with 8 inch male 3.5 mm stereo audio pigtail
 - Audio cables
 - Connector type 1 male 3.5 mm stereo audio TRS (tip, ring, sleeve) to 1 male 3.5 mm TRS

Cable

- USB cables
 - Standards USB 2.0
 - Connector type 1 male USB 2.0 Type A to 1 male Type A
 - USB data rate High speed (480 Mbps)
- USB 3.2 Gen 1 cables
 - Standard USB 3.2 Gen 1
 - Connector type 1 male USB 3.2 Gen 1 Type A to male Type B
 - USB data rate SuperSpeed (5 Gbps)

Specifications • Retractor Series (Continued)

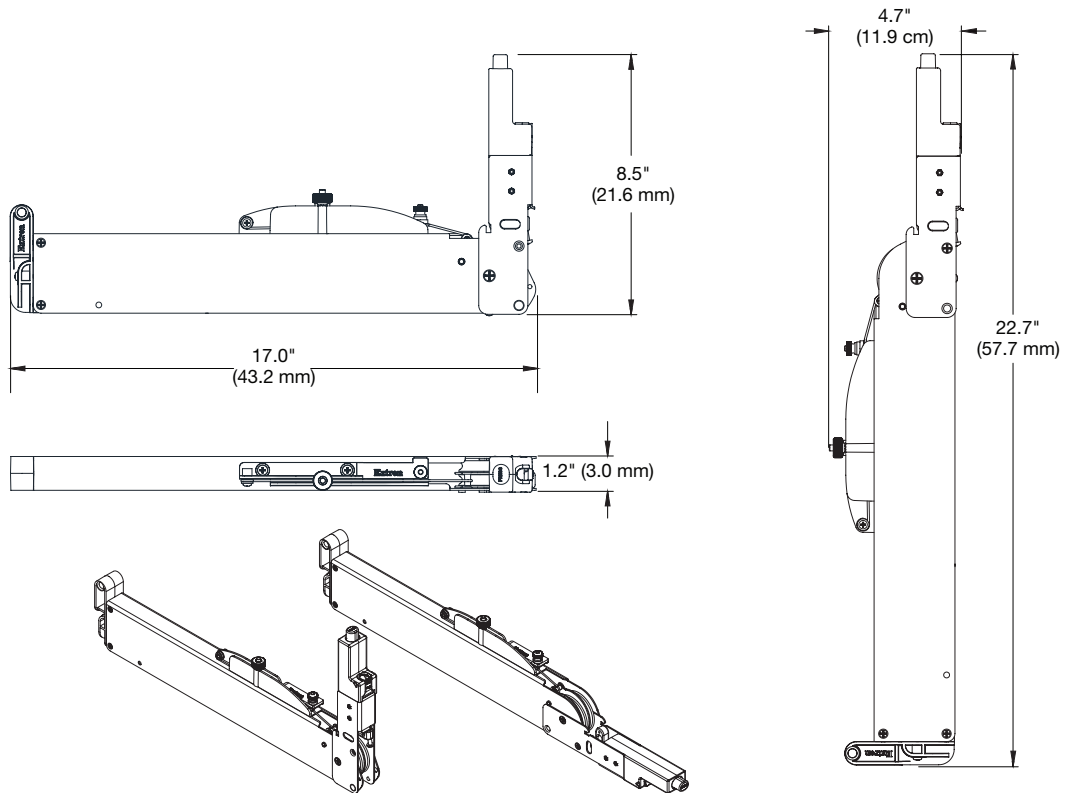
USB-C cables	
Standard	USB power only
Connector type	1 male USB-C to 1 female USB-C
Power capacity.....	100 watts (5 A)
Network cables	
Standards.....	CAT 6
Connector type	1 male shielded RJ-45 to 1 male shielded RJ-45
DC Connector cables	
Connector type	1 male DC power connector to 1 female DC power connector
DC Lenovo connector cables	
Connector type	1 male DC Slim-tip to 1 female DC Slim-tip

General

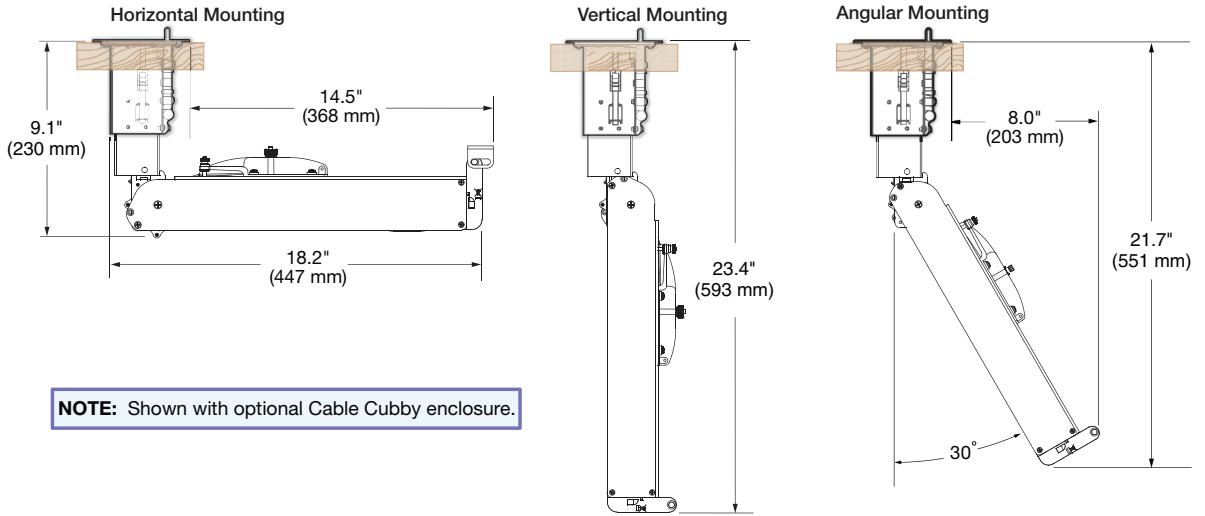
Mounting Mountable into Extron Cable Cubby, TLP Cable Cubby TouchLink® and AVEdge 100 enclosures, and the TMK 120 R Table Mount Kit (all sold separately)

NOTE: An optional bracket is required for horizontal mounting. Go to www.extron.com for information on installing additional brackets.

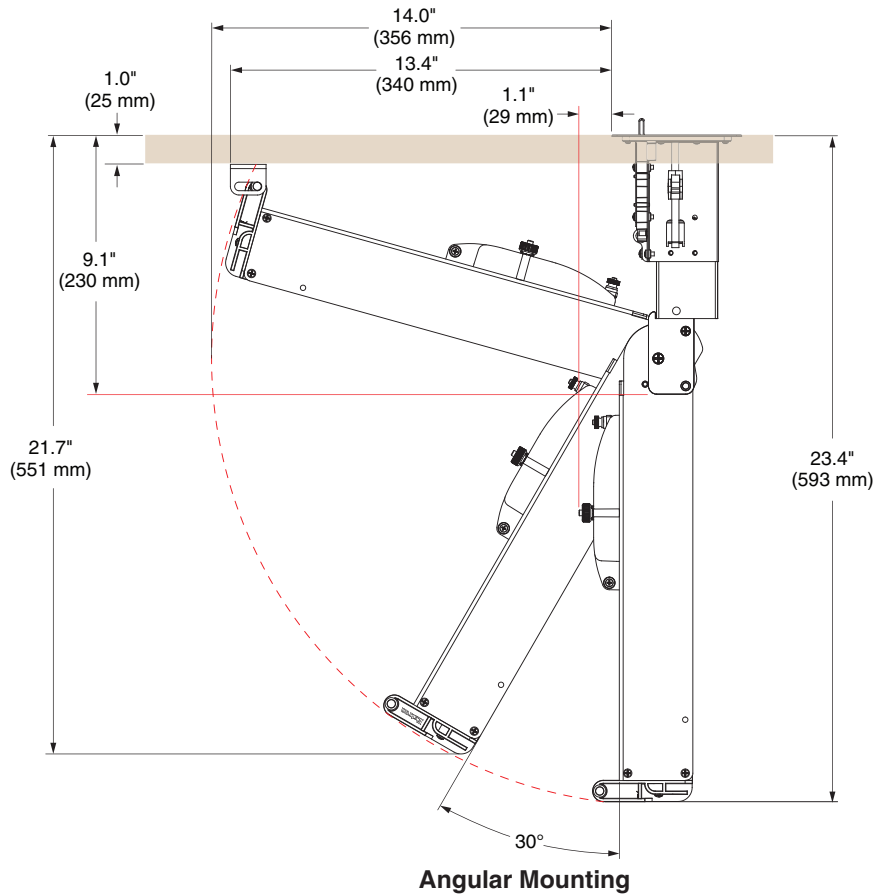
Enclosure type Metal and plastic
 Enclosure dimensions 22.7" H x 1.2" W x 4.7" D
 (57.7 cm H x 3.0 cm W x 11.9 cm D)
 See the following diagrams for additional dimensions.



Specifications • Retractor Series (Continued)



NOTE: Shown with optional Cable Cubby enclosure.



- Product weight 2.8 lbs (1.3 kg)
- Regulatory compliance..... RoHS, WEEE
- Life expectancy..... Tested to exceed 7500 cycles
- Warranty 3 years parts and labor including pre-installed cable assembly

NOTE: Specifications are subject to change without notice.

NOTE: Shipping weights and dimensions are available at www.extron.com.